



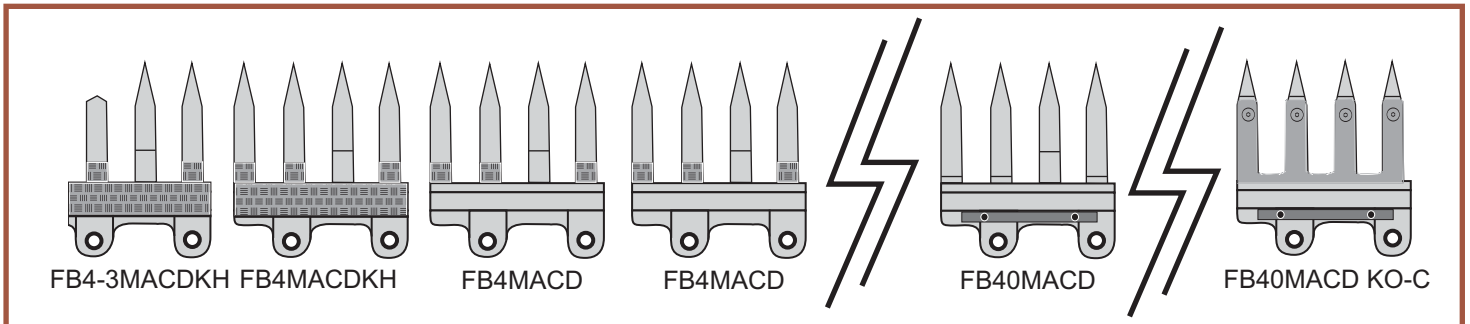
ADAPT-A-GAP LIFT KIT for Macdon D60 or Case 2152 Double knife 40ft or 45ft



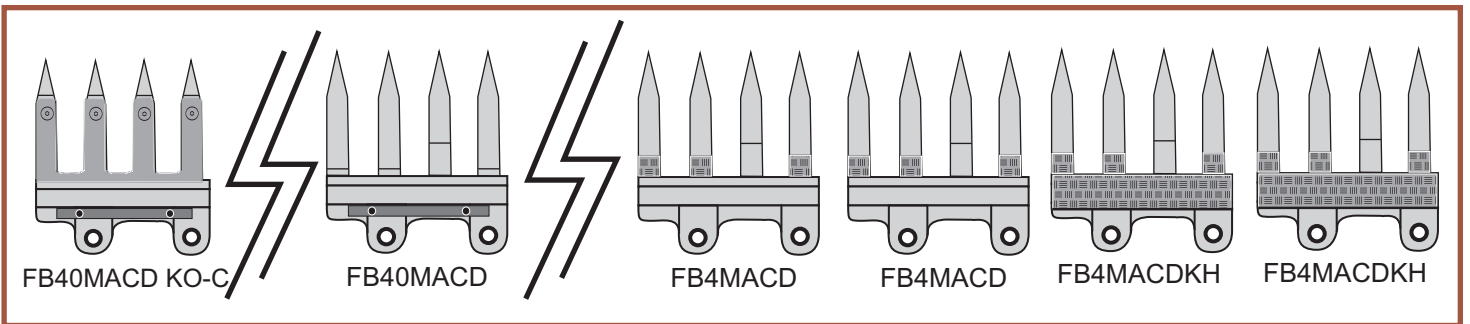
P1 of 2 (See over for fitting guide)

The guard kit comprises:
Top-mount standard Guards - 70 or 80 x FB40 MACD, plus:

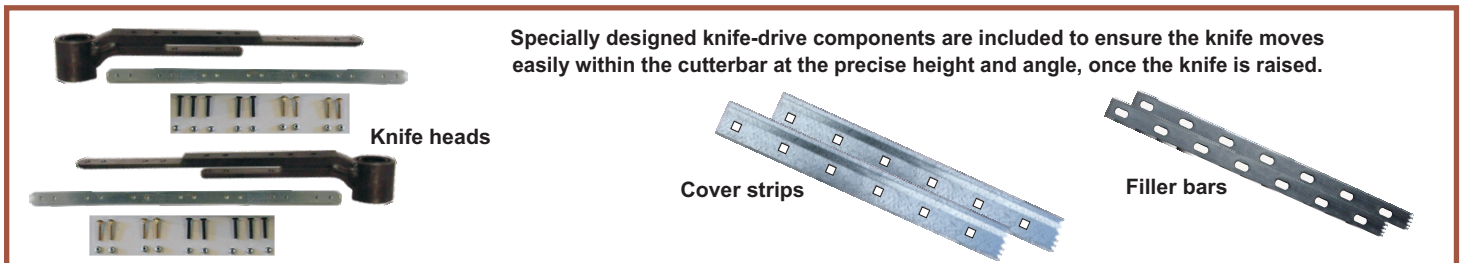
Left Hand Drive end Guards - 1 x FB4-3 MACDKH, then 1 x FB40 MACDKH, then 2 x FB4 MACD, with trimmed upper ledger plates and or milled gullets to allow the knife heads clearance. Wear strips are omitted for the same reason.



Right Hand Drive end Guards - 2 x FB40 MACDKH, then 2 x FB4 MACD, with trimmed upper ledger plates and or milled gullets to allow the knife heads adequate clearance. Wear strips are omitted for the same reason.



The lift kit comprises: **Knife Head- L/hand and R/hand, 5° angled, complete with bearing insert.**
Cover strips - Galvanised, with square mounting holes, sufficient for front length. (1.5m lengths)
Top Filler bars - 5mm zinc plated, each 900mm long.
Cup head bolts & nuts - for hold-down clip locations.
Cup head bolts & nuts - for non-hold-down locations.
Spring Washers - 3/8" for use with cup head bolts & nuts.



Fitting guide on next page

Guide Notes For Fitting 2/2

Check to see that you have all the parts outlined above.

Ensure that all fronts that are attached to a header have the safety stand down on the feeder ram, while fitting components to the front.

Method:

Mark hold-down clip locations with a suitable pen.

Remove the complete knife assemblies from the front. Remove the hold down clips across the front, placing them on the draper belt adjacent to their location. Mark the knife overlap position. All these hold-down clips will be reinstalled in the same positions, and be secured using the 2" Hex-head bolts supplied. Remove all knife guards, setting them aside with their bolts and nuts. Inspect the bare knife mounting bar, removing any imperfections, flaking paint, welding slag etc., to ensure a smooth surface upon which to mount the new guards.

The fitting sequence, from bottom to top is:

1. Original mounting bar
2. Knife guards
3. Top filler bar (5mm thick bar, slotted holes)
4. Cover strip (pressed sheet, galvanized, square holes)
5. Original hold-downs

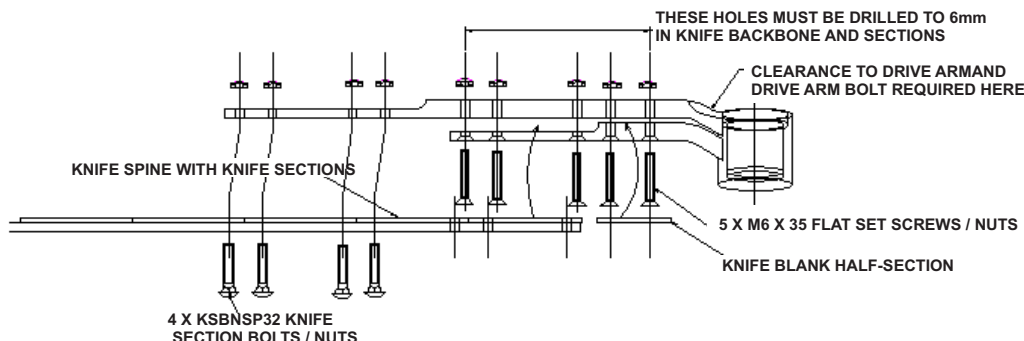
Trim any excess cover and filler strips as necessary. Fit the knife guards in the following sequence, tightening bolts and nuts to hand-tight. Starting from the left-hand side, replace the drive-end guard with the new LH three-finger guard FB4-3MACDKH, followed by an FB4MACDKH and two FB4MACD special knife drive guards. Move to the right hand end, fitting 2 x FB4MACDKH and two FB4MACD. Continue with the standard guards across the top surface of the front's mounting bar until reaching the knife overlap position. Fit the two FB40MACD KO-C centre overlap guards. Fit the balance of the standard guards.

Torque knife guard hardware to 55lbft. or 75Nm and make sure guides are resting hard against the mounting bar.

Remove the knife head from both knives and instal the new knife heads and knife head straps onto the knife, as follows:

- a) Enlarge first three holes in knife backbone to 6mm dia.
- b) Enlarge two holes in knife blank half section to 6mm dia.
- c) Enlarge first three holes in knife sections to 6mm dia.
- d) Fit new knife head to knife backbone (sometimes it may be necessary to trim the end of the knife backbone with a grinder, to get the holes to align to fit the knife head).
- e) Replace sections, top knife head strap and tighten all nuts and bolts carefully.

KNIFE HEAD SET-UP



Slide the knife back into position. locating the knife head on the knife drive arm on the drive box. Replace hold down clips across the front in their original locations. Adjust hold-down clip/knife section clearance to operator's manual specifications. Run knife by hand. Adjust where necessary until knife runs smoothly. Run the front on the header. **Stop header and remove keys.** Check for hot spots on the knife (use a thermal gun for preference) as the knife may run hot, indicating a need for some adjustment. Check that plastic or steel reel fingers are sufficiently clear of the knife now that the lift kit is installed.

Please call your nearest PSA branch if you need assistance